

dacomex

W70-600-M

## Motorized Mantel TV Mount

What's more cool than  
having a TV mounted  
over the fireplace?

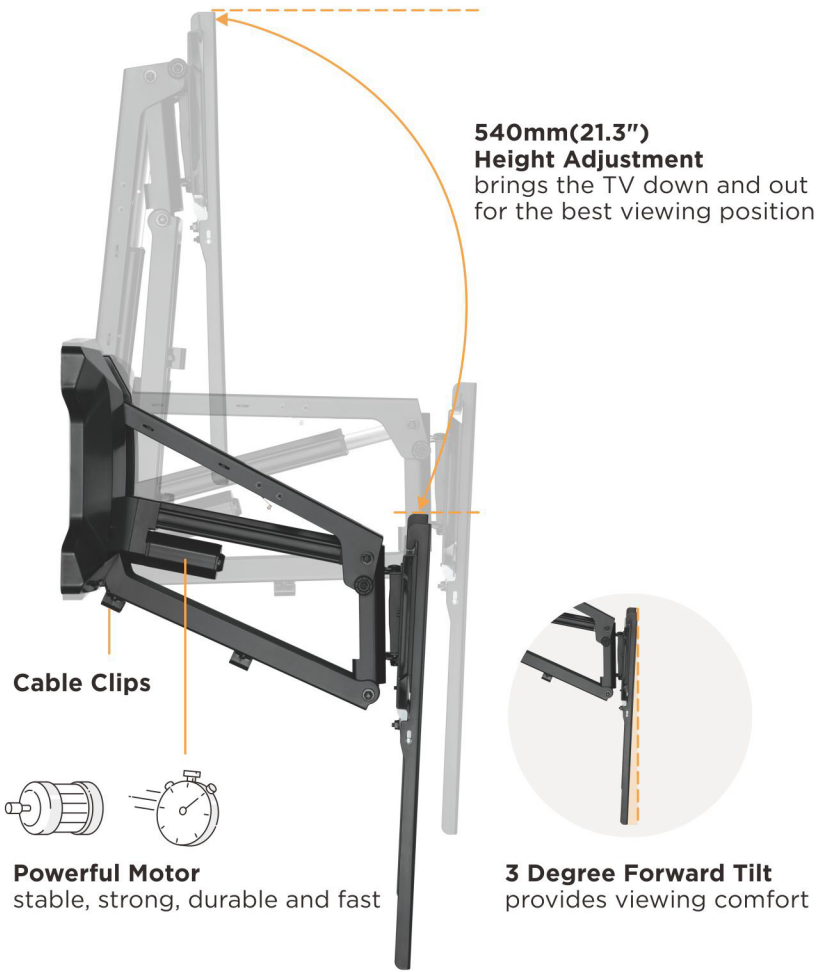
A remote controlled TV! The Motorized Mantel TV Mount offers more viewing options and the convenience of remote control - through walls and from a greater distance!



# W70-600-M

## Motorized Mantel TV Mount

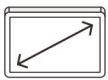
# dacomex



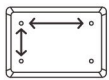
### RF Remote Control



- 1 Retracts with One-Button**  
returns the TV to the initial position
- 2 Store 2 Favorite Positions**  
for different viewers or changing viewing location



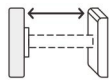
Screen Size  
**37"-70"**



Max. VESA  
200x100 200x200  
300x200 300x300  
400x200 400x300  
400x400 600x400



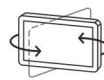
Weight Capacity  
**35kg/77lbs**



Profile to Wall  
**153-485mm  
(6"-19.1")**



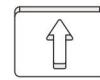
Screen Level  
**+3° - -3°**



Swivel Range  
**+25° - -25°**



Power Input  
**AC100-240V  
50/60Hz**



Direction Indicator



Motorized

