

dacomex

S100-800W

Motorized Large TV Carts/Stand

Made for office, education and hospitality use, the S100-800W Motorized Height Adjustable TV Carts and stand are a versatile solution for those seeking mobile or shared viewing of TVs for presentations, video conferencing and more. Powerful dual motor design provides ample ability to raise and lower even the heaviest TVs (120kg / 264.6 lbs). The S100-800W provide the perfect solution to gather, display and share information for today's changing needs.



2 Memory RF Remote Control
raise or lower the TV from a distance



dacomex



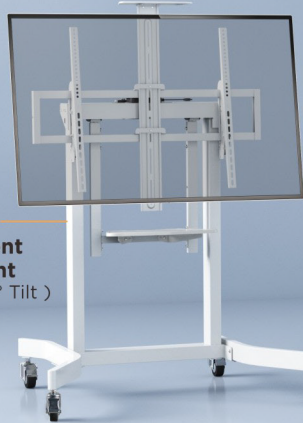
S100-800W

Motorized Large TV Carts/Stand

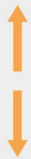
dacomex

▶ 2 Models Available

Deluxe Motorized TV Cart with Tilt, Equipment Shelf and Camera Mount
S100-800W+ (+ 5° and -10° Tilt)



Motorized Wall Mount Stand



Ample Height Adjustable Range

Wide height range accommodates various room sizes for comfortable viewing regardless of setting - ideal for most any size user and those with limited mobility. See chart below for TV height range.



Universal VESA Mount
supports large TVs from 55"-100"



Powerful Lifting Motor
smooth and quiet movement - even with the heaviest TVs



Locking Casters
effortless and smooth movement without scuffing floors that lock firmly in place



Available with Storage Shelf and Camera Mount
Ideal for holding materials or small equipment (5kg /11 lbs.) along with camera perch for tele-conferencing use



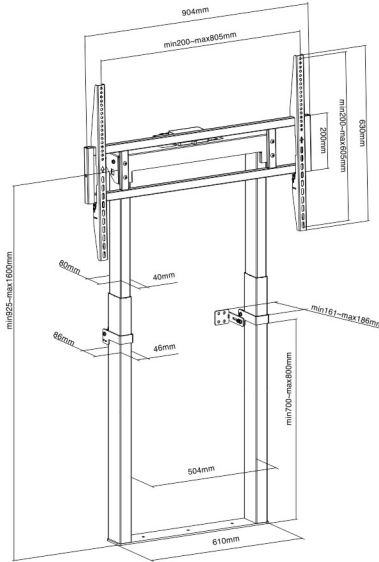
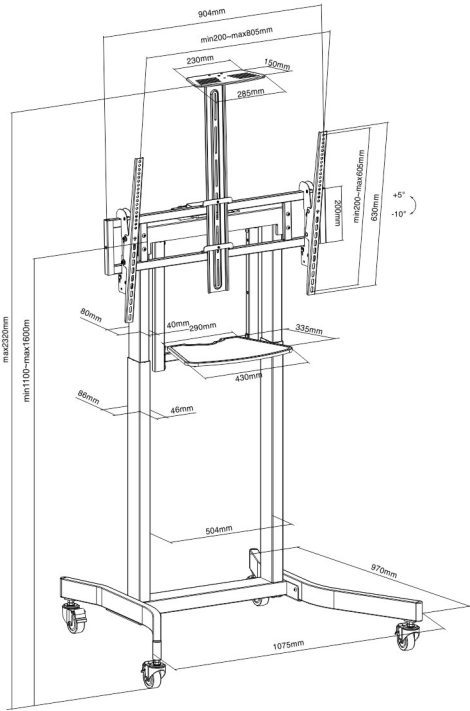
Robust Construction
Laboratory tested to 4 times weight capacity for confident long term use.

S100-800W

Motorized Large TV Carts/Stand

dacomex

S100-800W



Item No.	S100-800W	
Dimensions	1075x970x1445-2320mm (42.3"x38.2"x56.9"-91.3")	904x250x1250-1925mm (35.6"x9.8"x49.2"-75.8")
TV Height Range	1100-1600mm (43.3"-63")	925-1600mm (36.4"-63")
Weight Capacity	120kg (264lbs)	120kg (264lbs)
Compatible Screen Size	55"-100"	55"-100"
VESA	200x200, 300x200, 300x300, 350x350, 400x300, 400x200, 400x400, 600x200, 600x400, 800x400, 800x600	200x200, 300x200, 300x300, 350x350, 400x300, 400x200, 400x400, 600x200, 600x400, 800x400, 800x600
Materials	Aluminum, Steel & Plastic	Aluminum, Steel & Plastic
Tilt	+5°--10°	No
Storage Shelf	Yes	No
Camera Mount	Yes	No
Colors	■	■